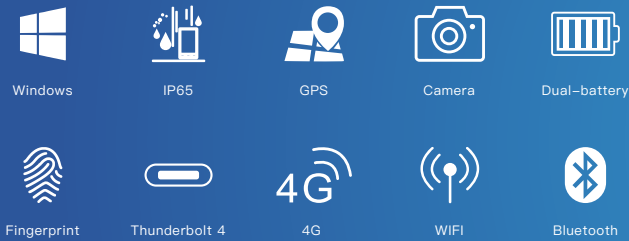


## Fully Rugged Notebook

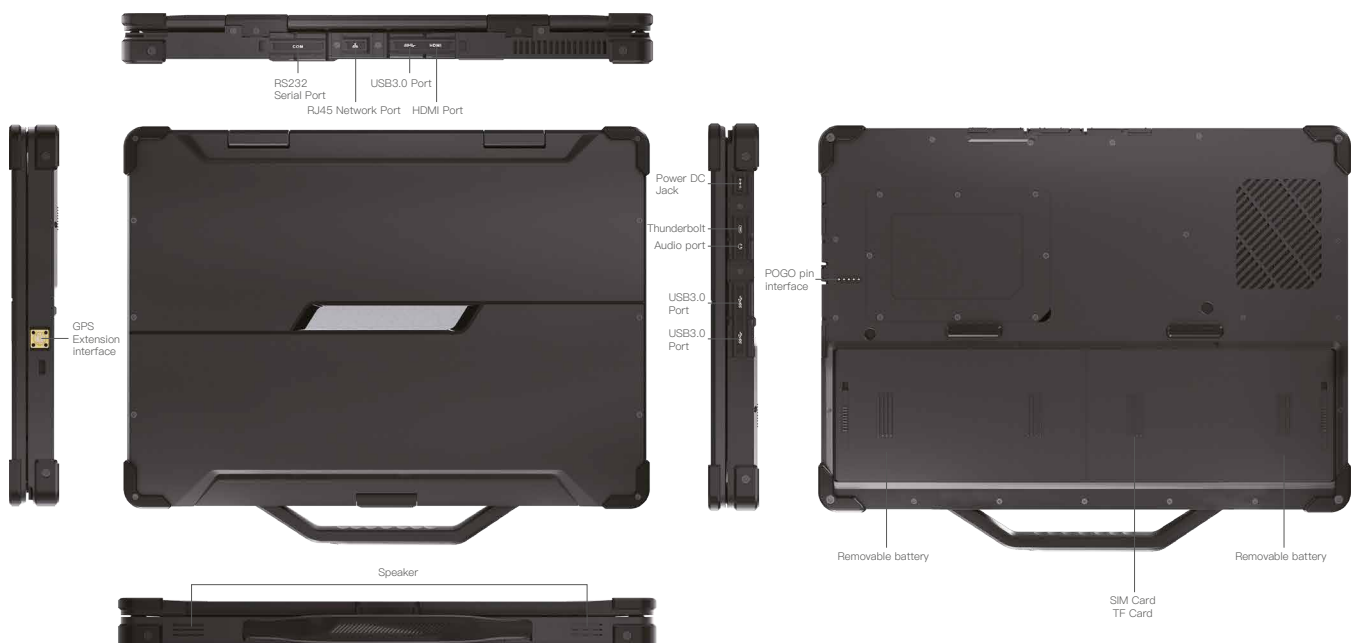
13.3 inch



### Functions

- Support for Win 10/11 system
- Intel® i5-1135G7 , greatly improved performance
- The fuselage is equipped with dual battery design, and the endurance is increased to 10.5 hours
- IP65 high protection level, in accordance with MIL-STD-810G
- Support WiFi 6, BT 5.1
- Support 1920x1080 FHD, optional with Corning gorilla screen and sunshine visual screen
- Support rich expansion slot and fingerprint design, can be applied to various complex industry needs and expand demand

### Product Six Views



\* All technical data, specification and performance figures subject to change without notice.

## Specification Parameter

Basic parameters	
Dimension	332 x 233 x 26mm
Weight	2.1Kg
Device Color	black
LCD	13.3 inch FHD 16:9, 1920x1080, 400nits (Optional 700nits)
Touch Panel	Optional 10 point G+G capacitive touch screen Corning® Gorilla® Glass
Camera	Front 2.0MP
I/O	HDMI x 1, POGO 5pin x 1(Optional), USB Type-C x 1, USB 3.0 Type-A x 3, SIM Card x 1, TF Card x 1, DB9 RS232 x 1, RJ45 x 1, Φ3.5mm standard earphone jack x 1, DC 19V 3.42A x 1
Power	AC100V ~ 240V, Output DC 19V/3.42A/65W
Communication	
WIFI	WiFi 6, 802.11a,b,d,e,g,h,i,k,n,r,u,v,w,ac,ax
Bluetooth	BT5.1 Transmission distance: 10m
4G (Optional)	LTE FDD B1/B3/B7/B8/B20/B28A WCDMA B1/B8 GSM B3/B8
GNSS	Optional GPS

Performance parameter	
CPU	Intel® Core i5-1135G7
OS	Windows 10/11
RAM	8GB/16GB
ROM	256GB/512GB
Battery (Hot-swappable)	
Capacity	11.1V/2800mAh x 2
Type	Li_polyment, removeable battery
Endurance	10.5hrs ( 50% volume sounds, 50% screen brightness, 1080P HD video display by default )
Reliability	
Operate Temperature	-20 °C ~ 60 °C
Store Temperature	-30 °C ~ 70 °C
Humidity	95% Non-Condensing
Rugged Feature	IP65 certified, MIL-STD-810G certified
Drop Height	1.22m
Data Collection	
Fingerprint	SPI fingerprint (power on login)

## Application Range

Various modules and accessories can be selected to meet customers' application in various industries.



Power Maintenance



Equipment Testing



Automobile Manufacturing



Public Security

All technical data, specifications and performance figures subject to change without prior notice.

BizTech Distribution GmbH | [www.biztech-distribution.eu](http://www.biztech-distribution.eu)  
Phone: +49 30 220121411 | E-Mail: [contact@biztech-distribution.eu](mailto:contact@biztech-distribution.eu)

**biz/TECH**  
distribution